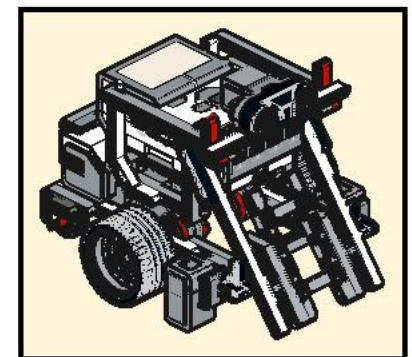
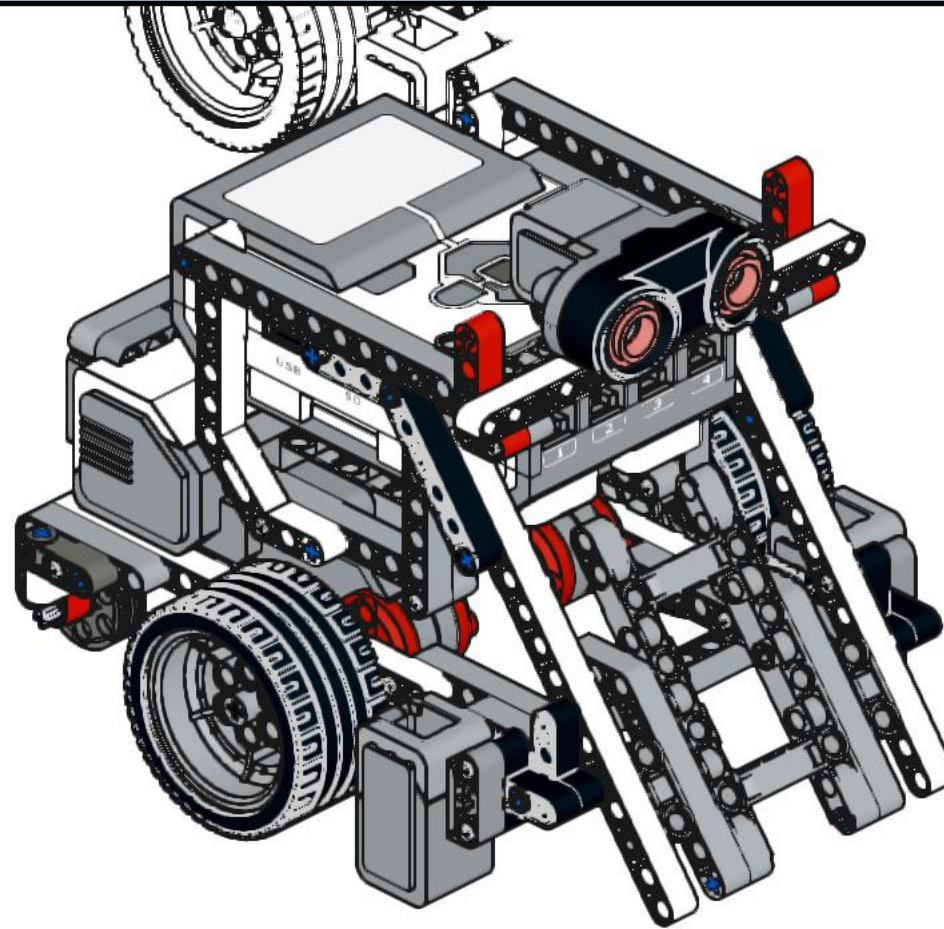
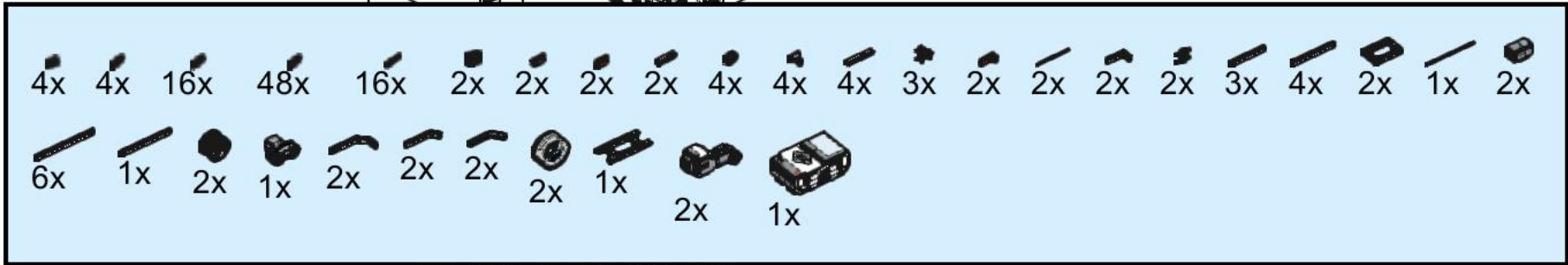
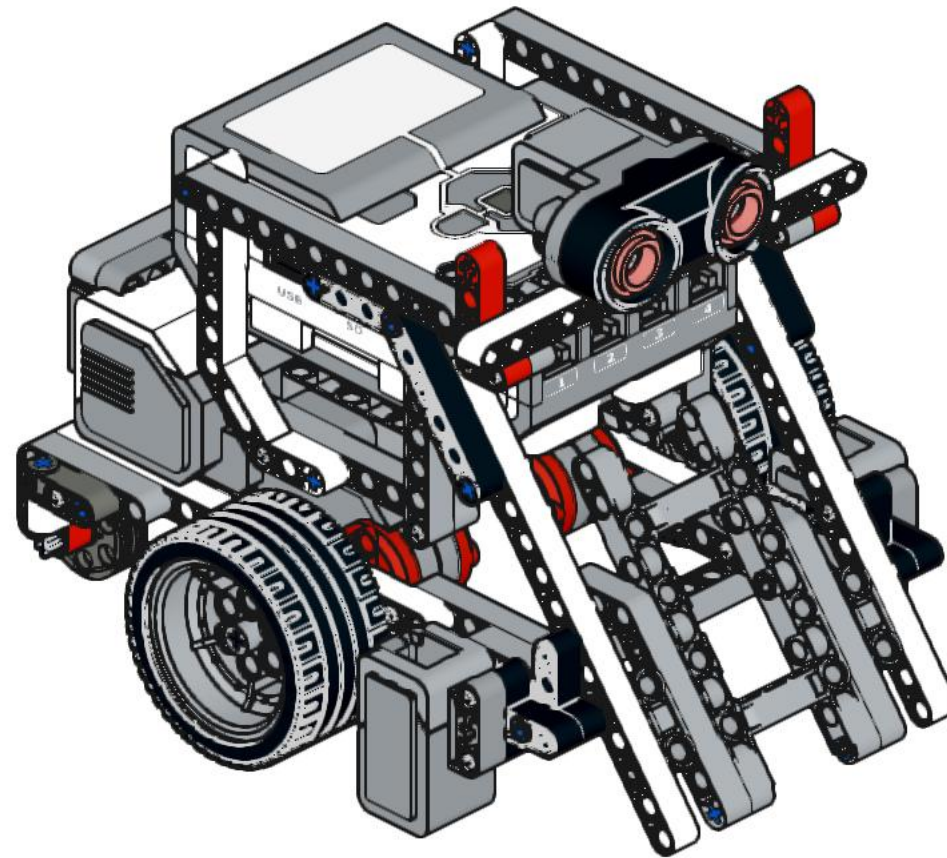


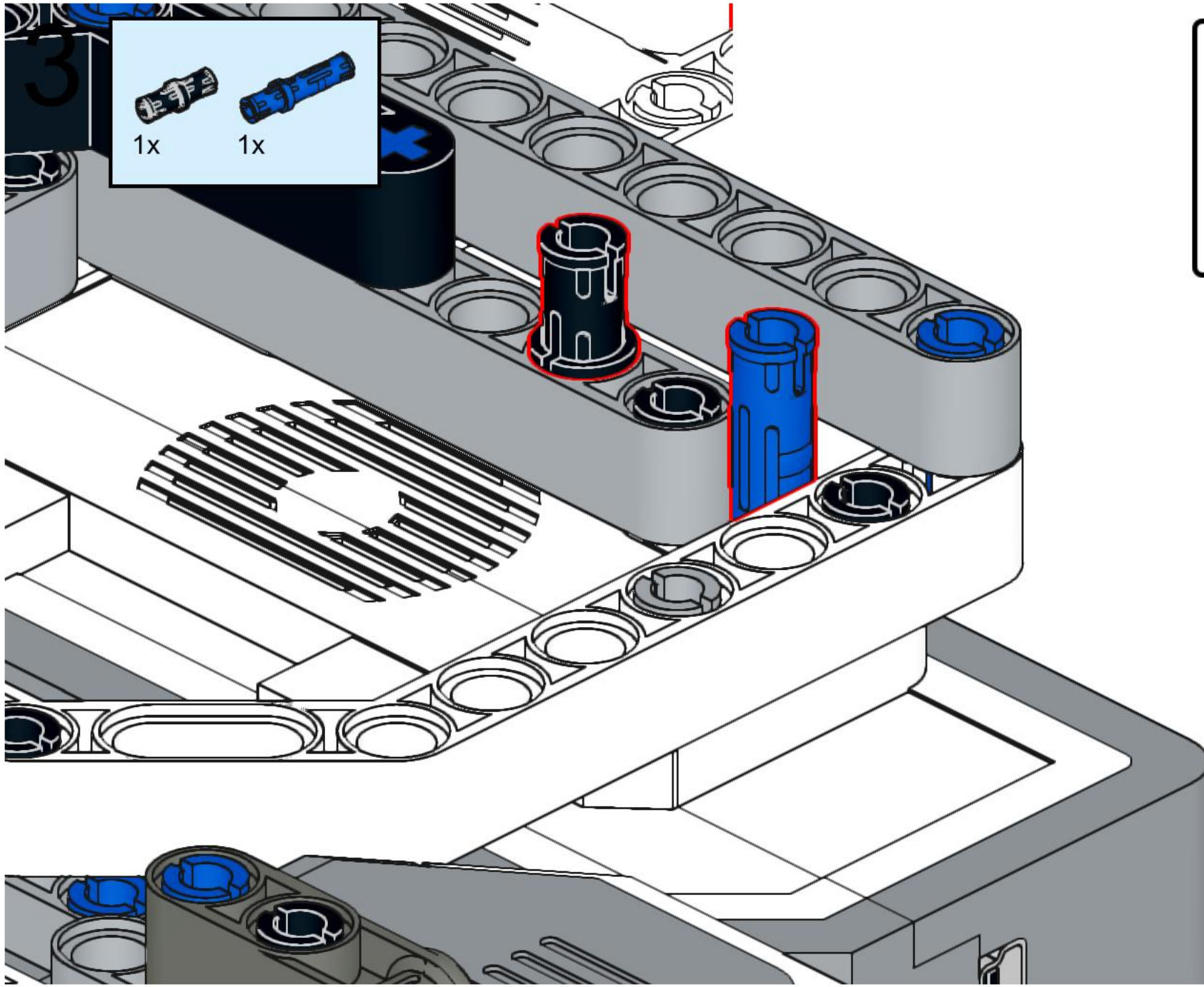
1

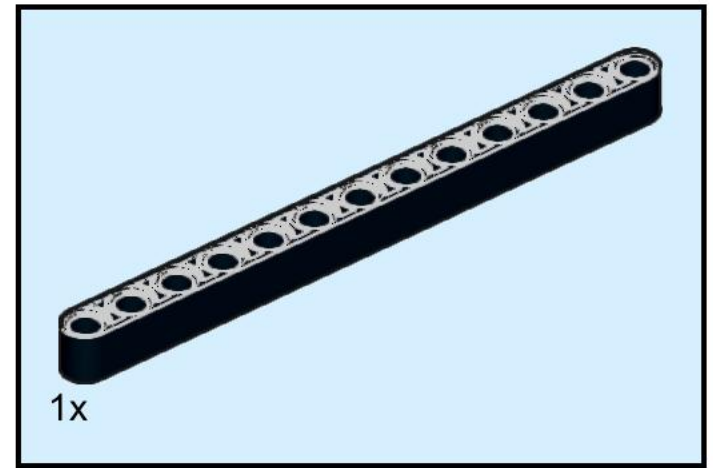
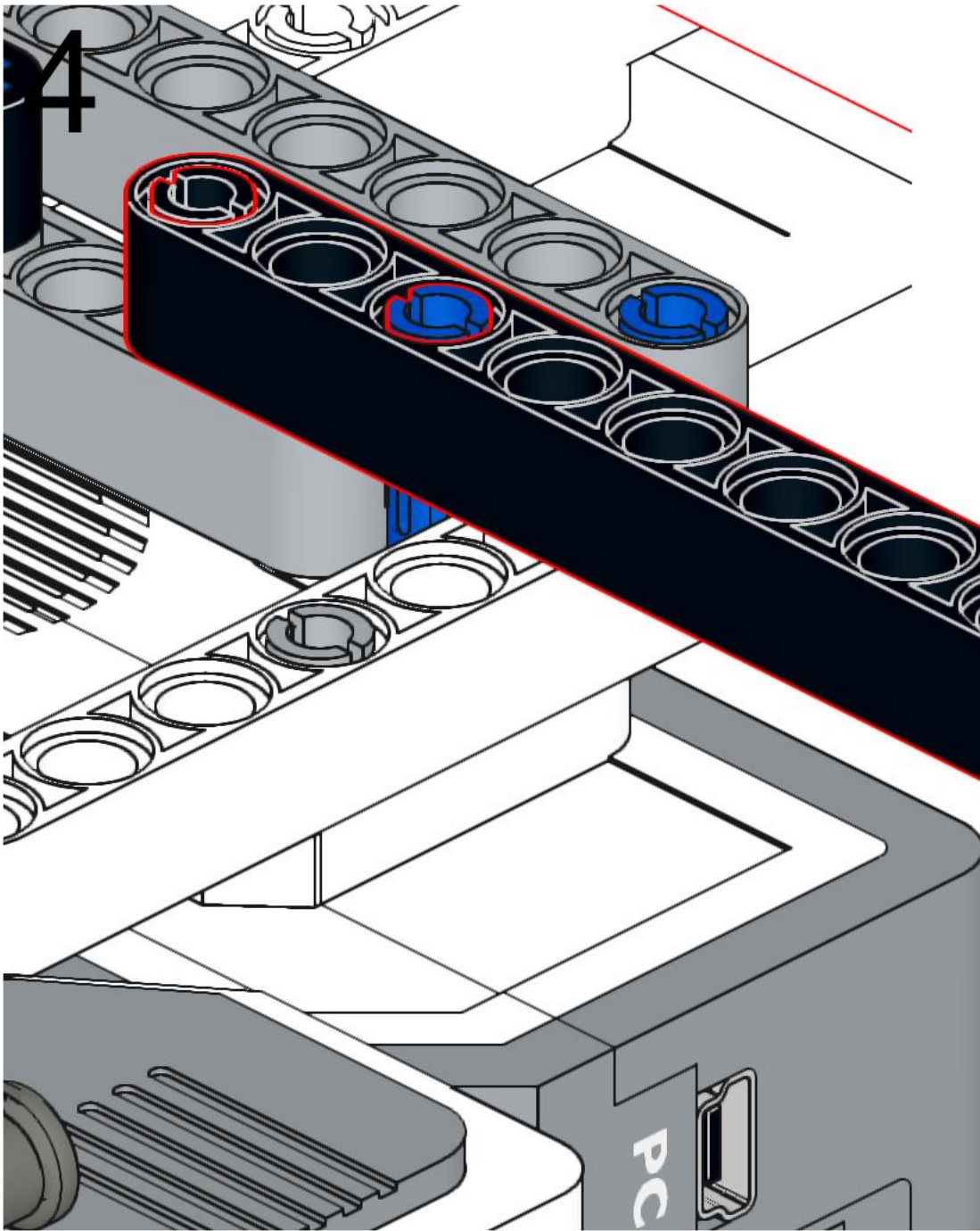


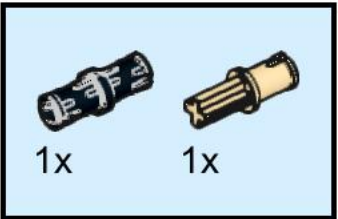
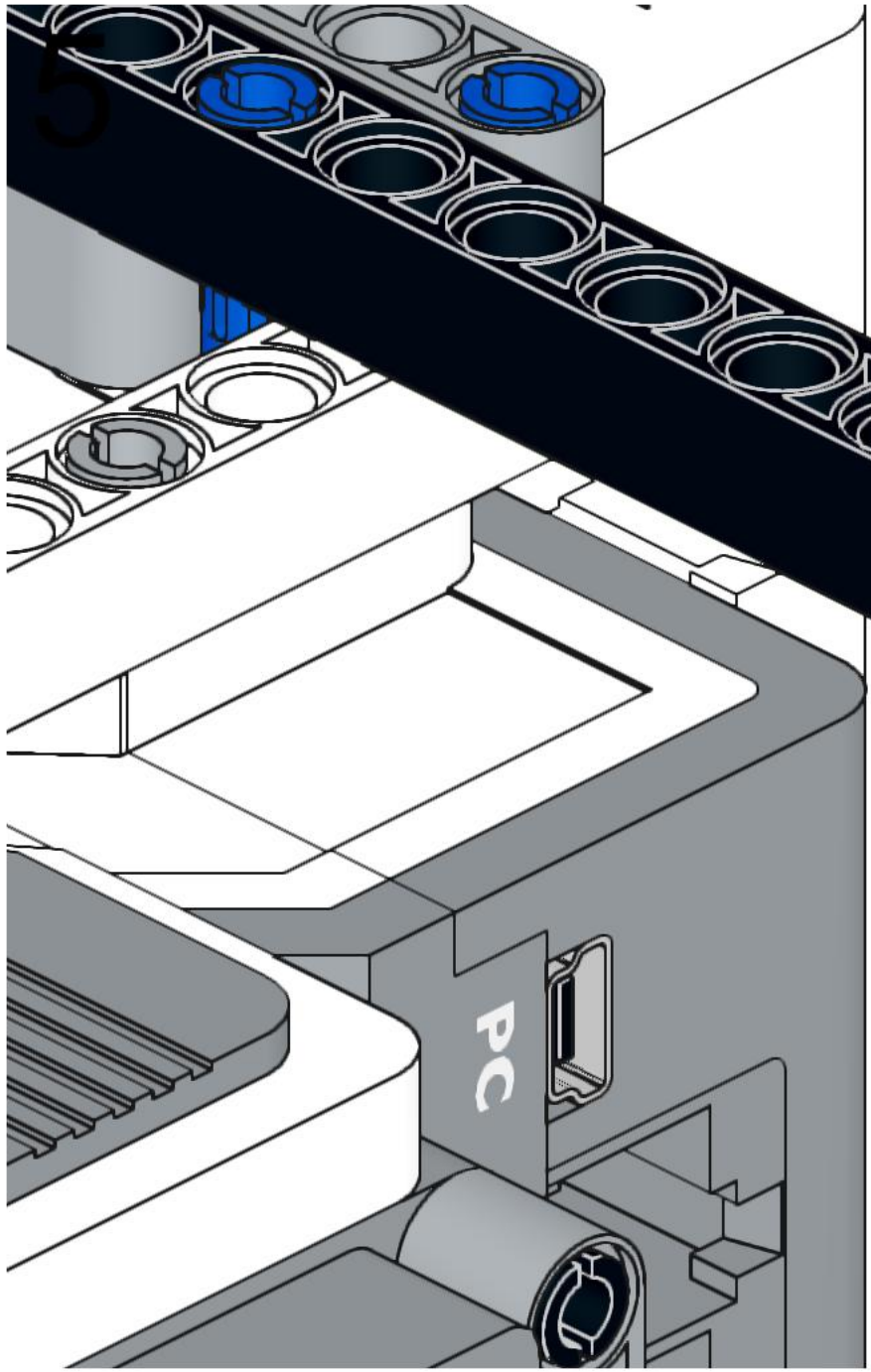
2

BUILD SIMPLE SUMO BOT USING
INSTRUCTIONS FROM
WWW.LEGOSUMOBOT.COM





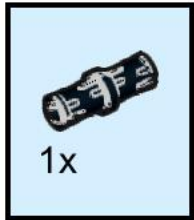
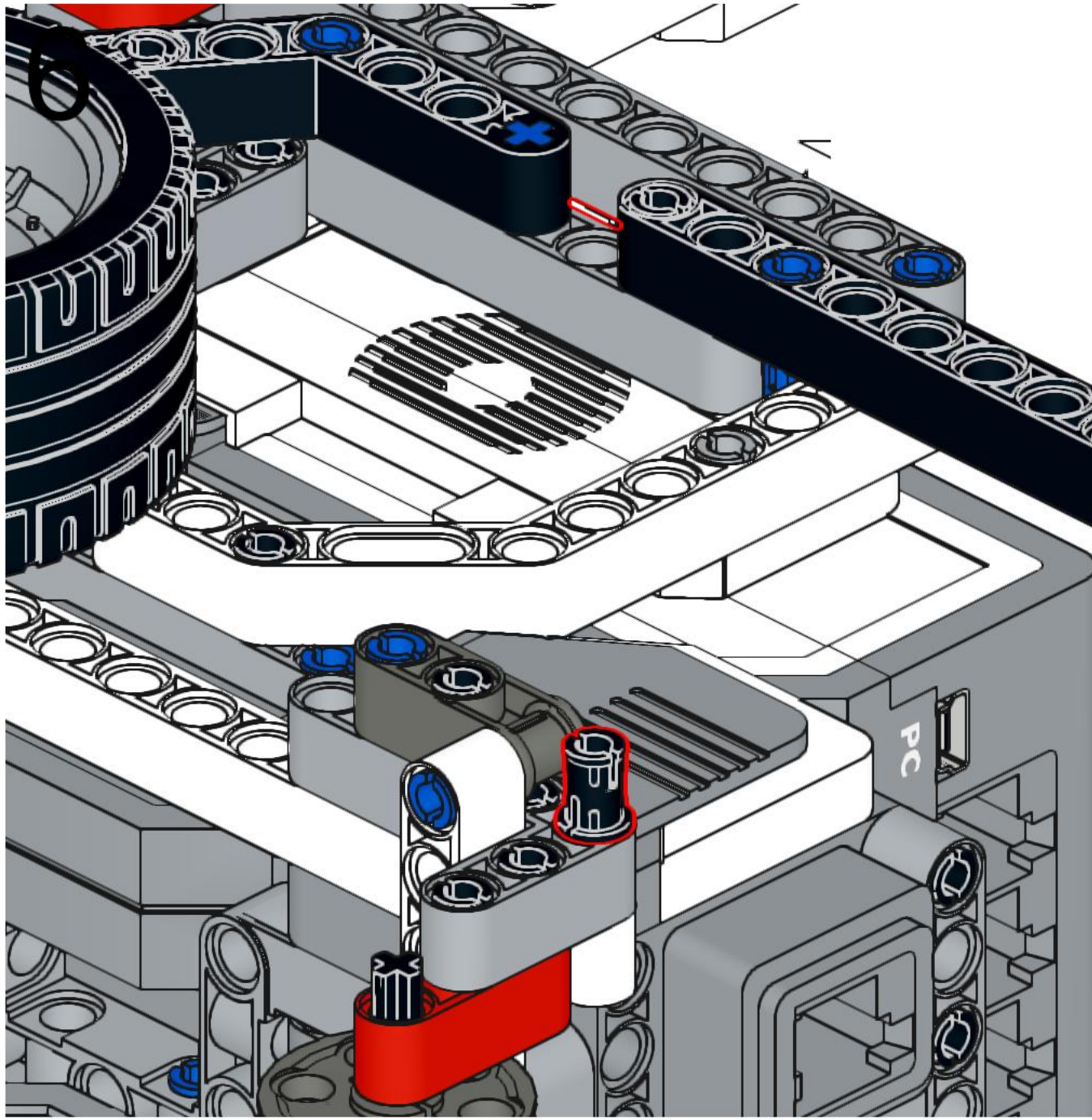


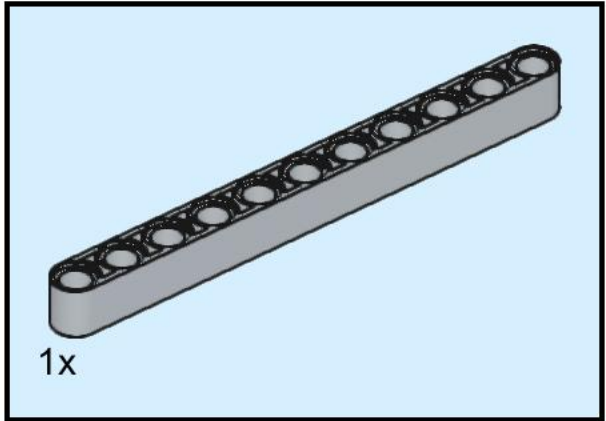
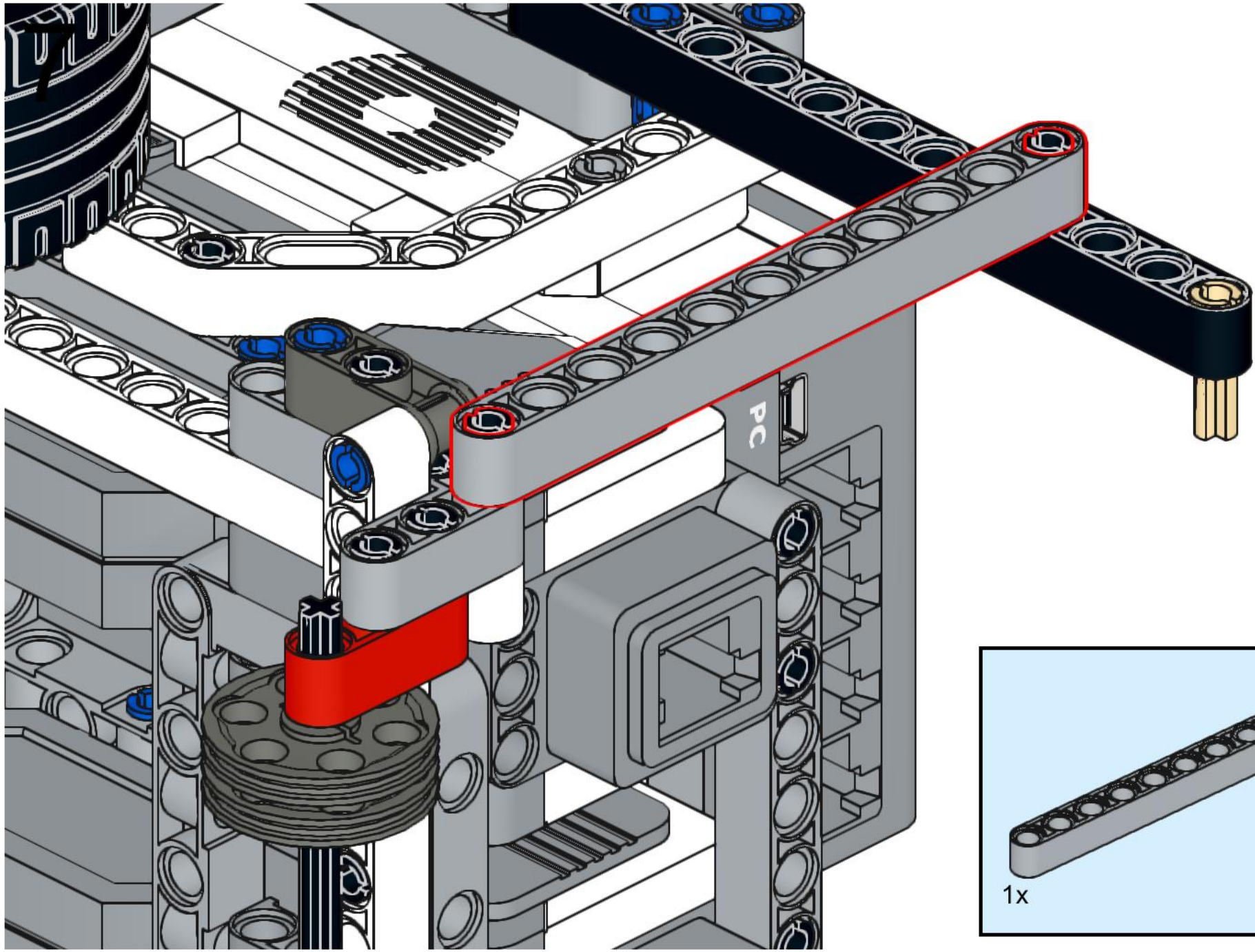


1x

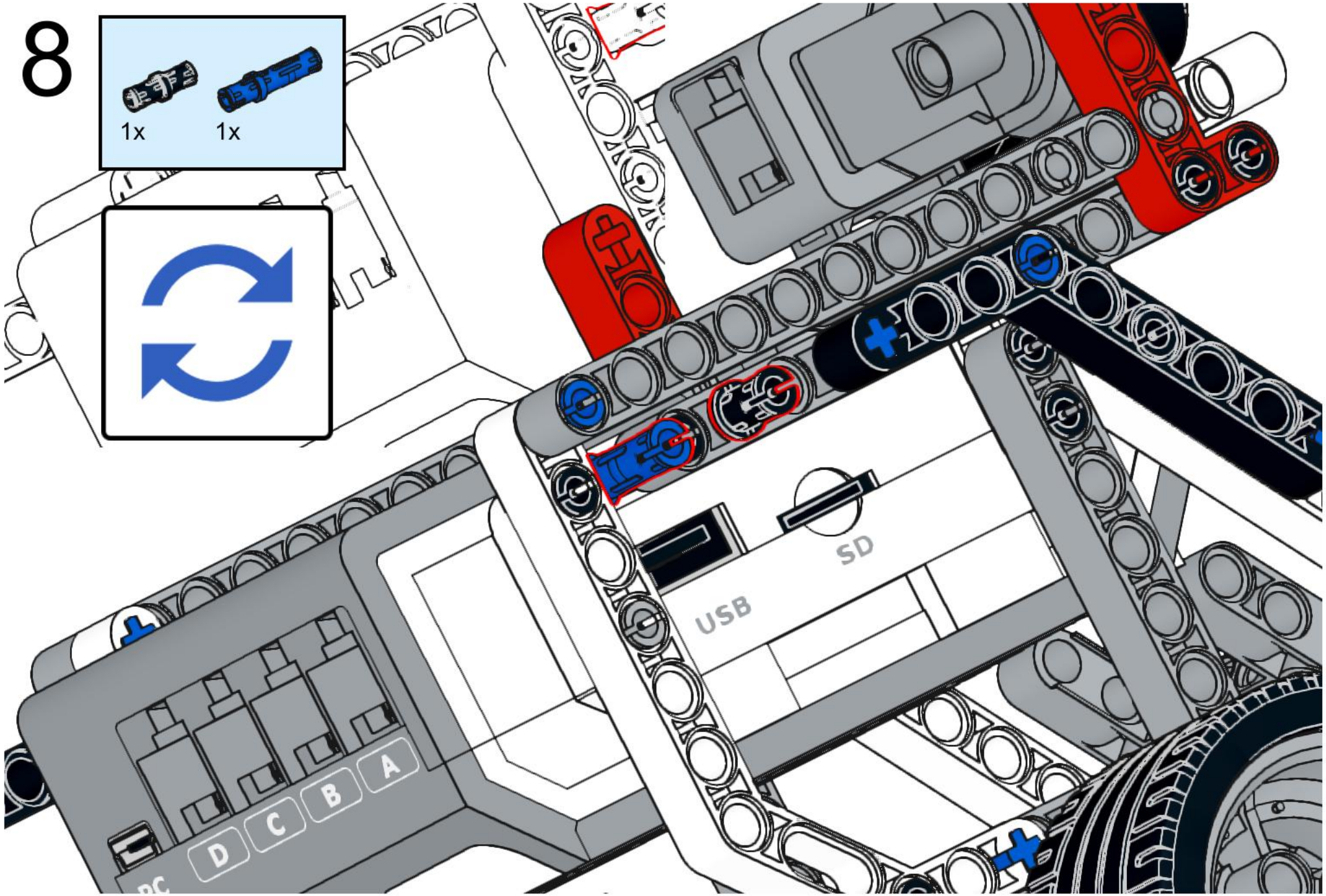
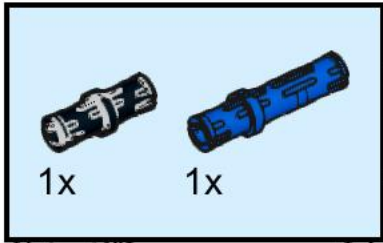


1x

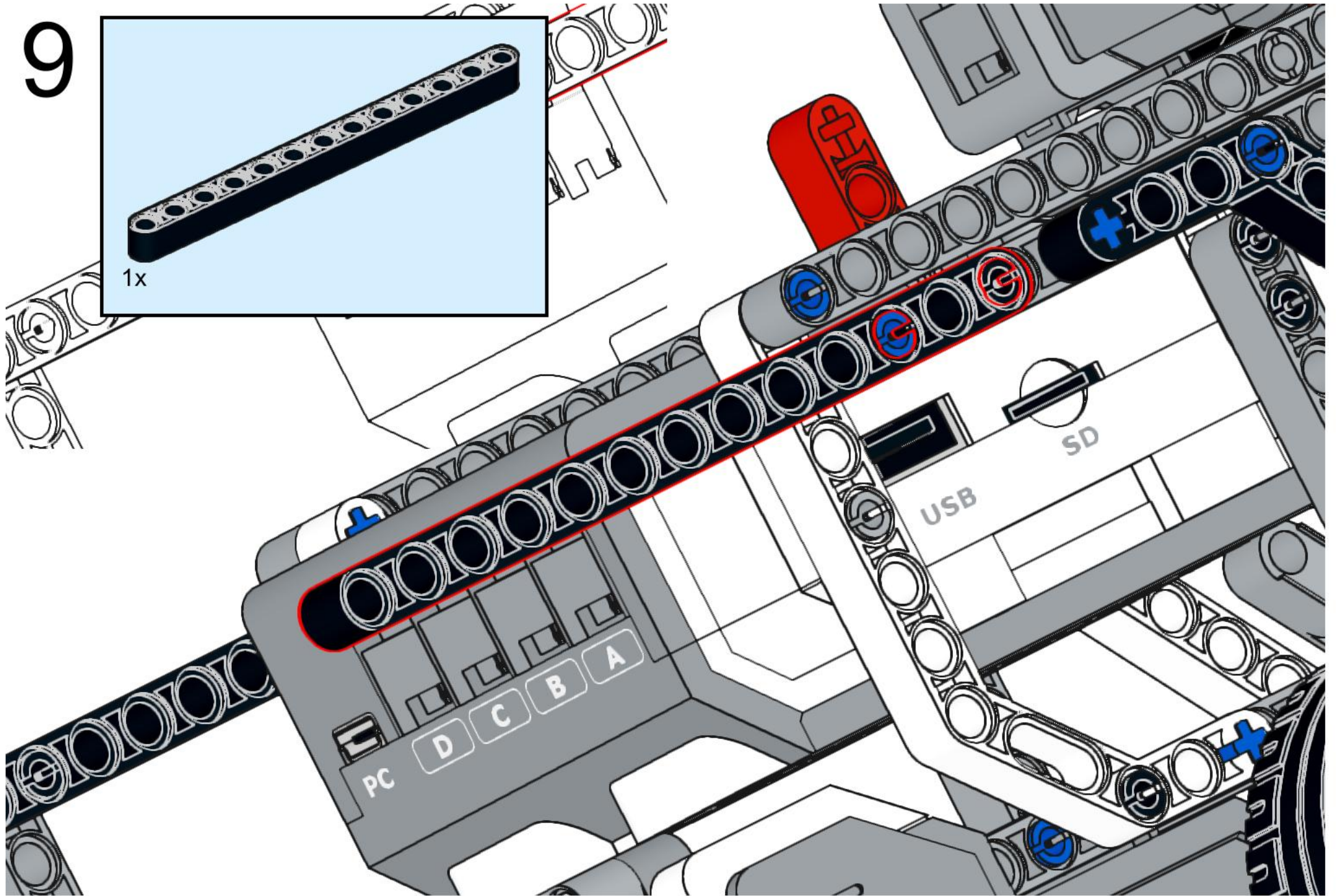
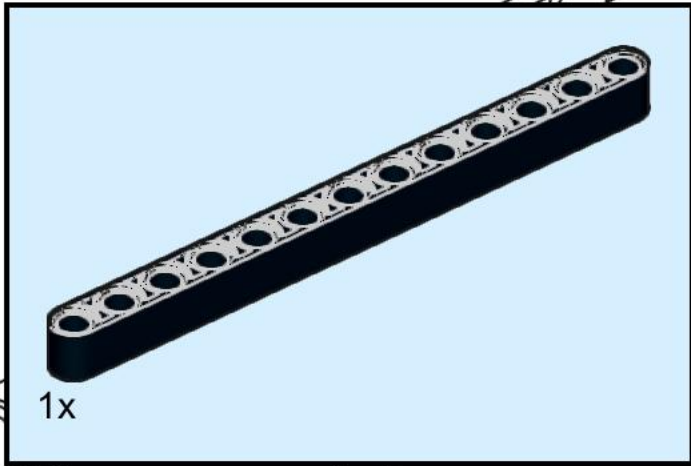




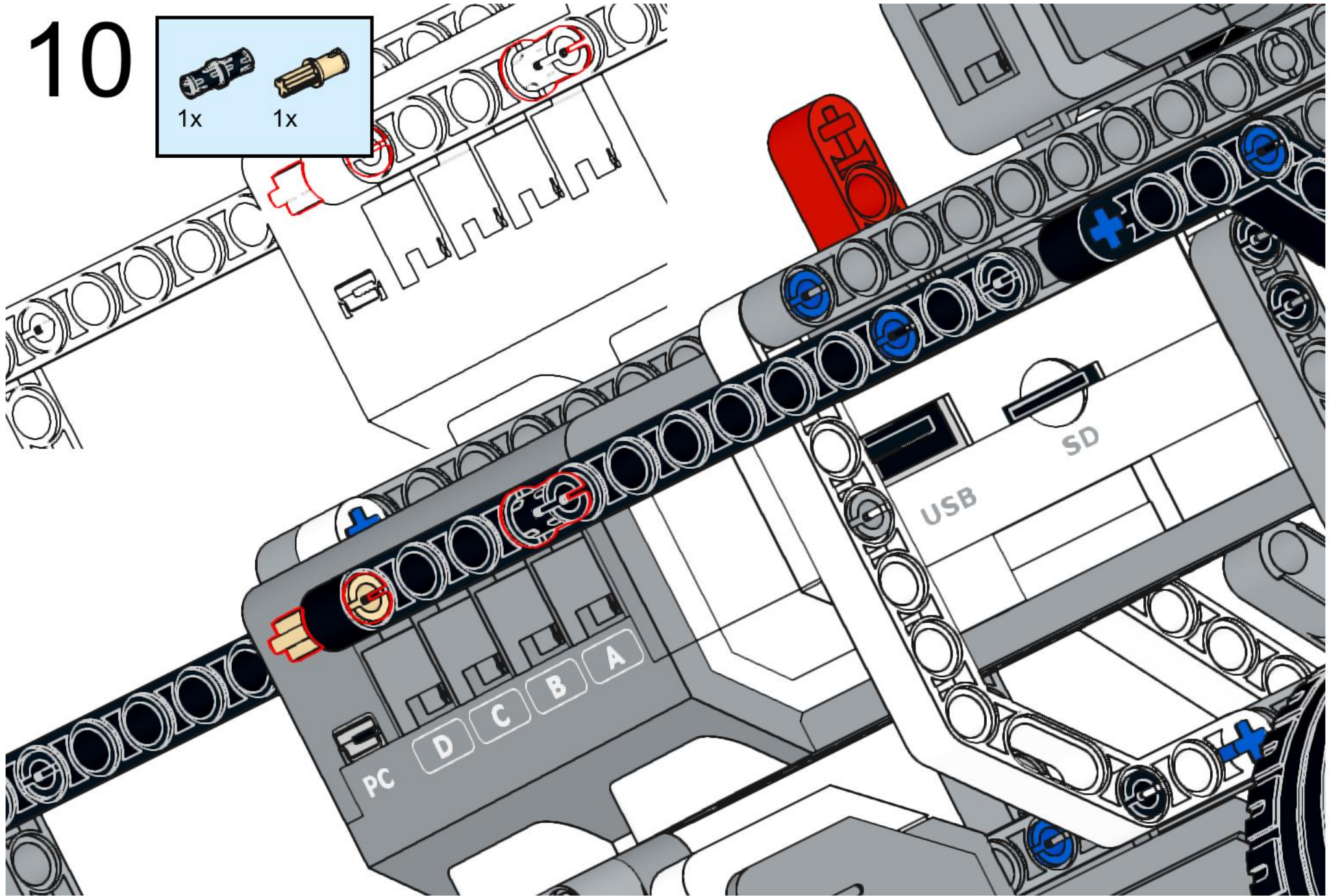
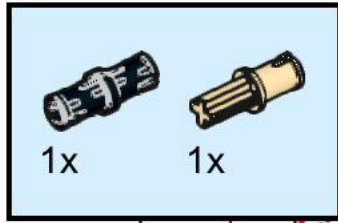
8

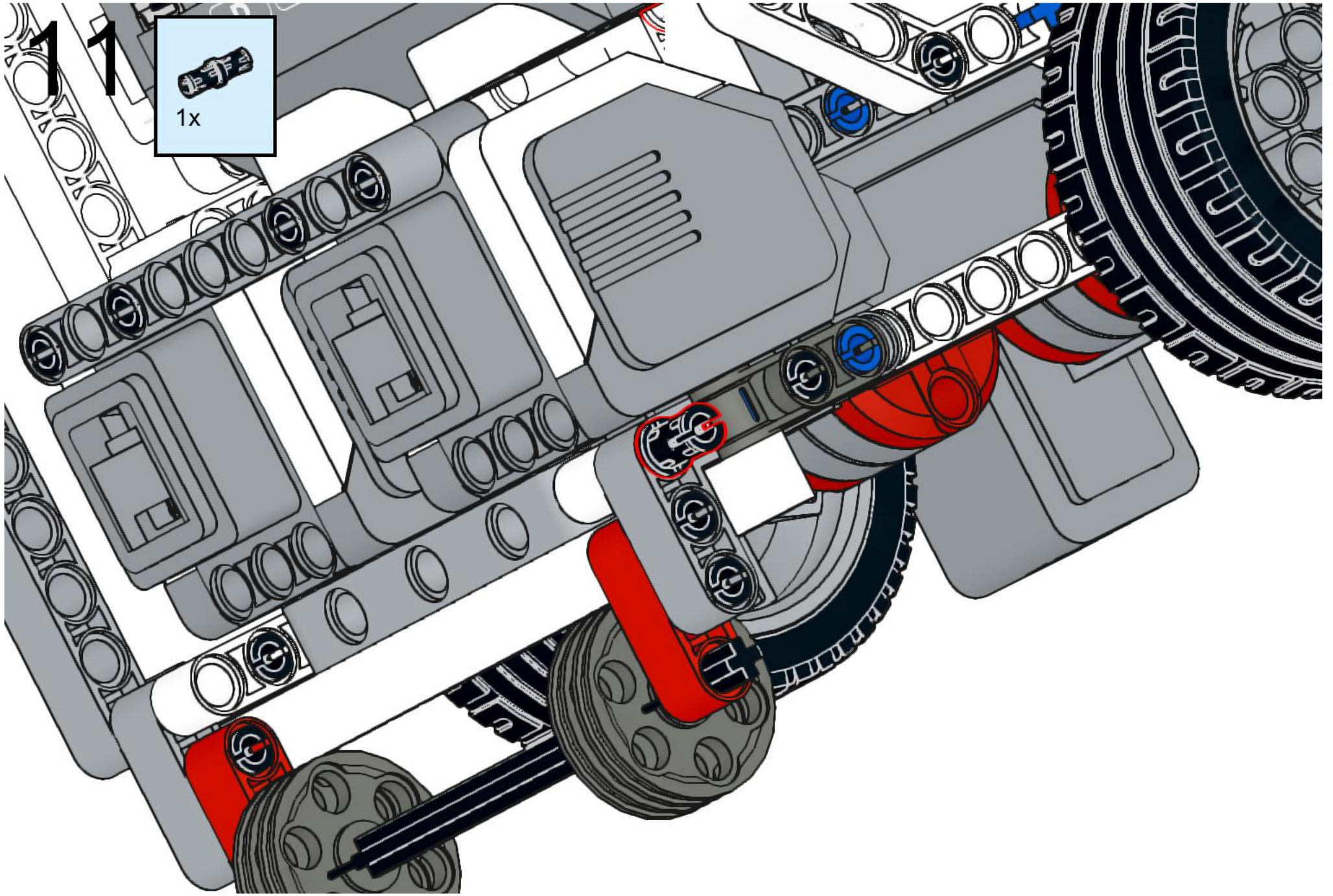


9

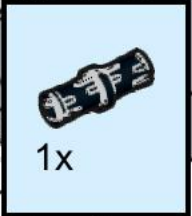


10



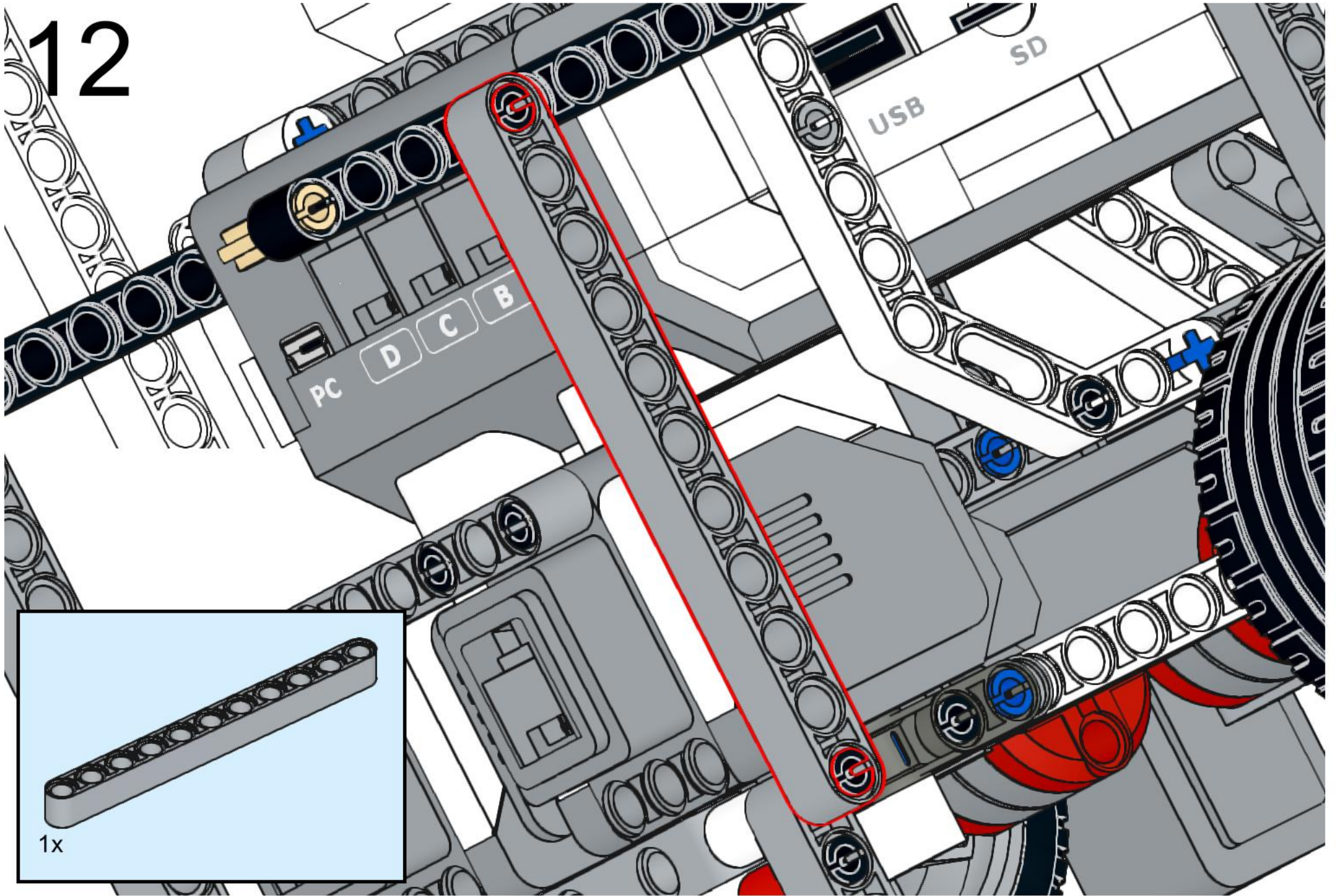


1 1

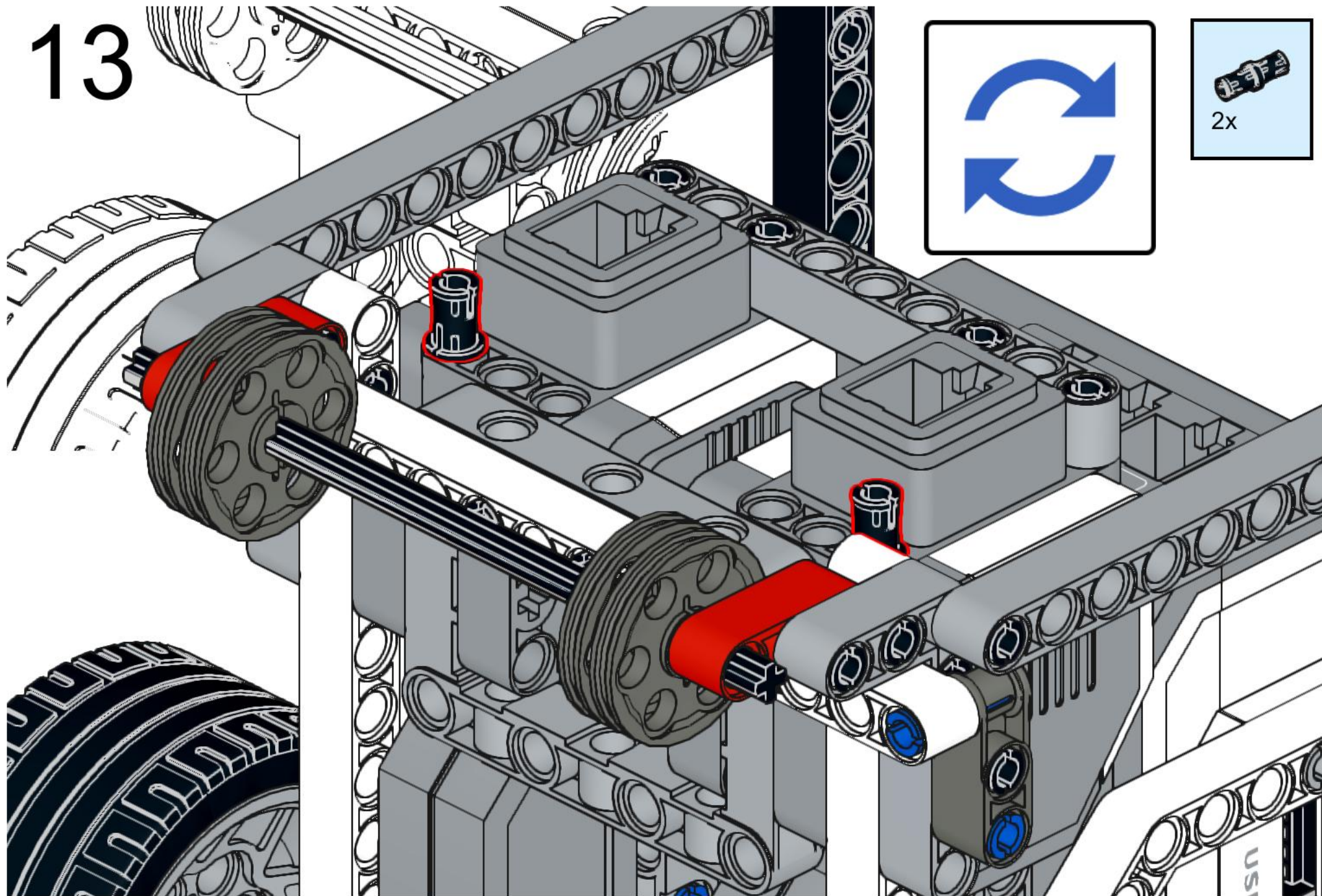


1x

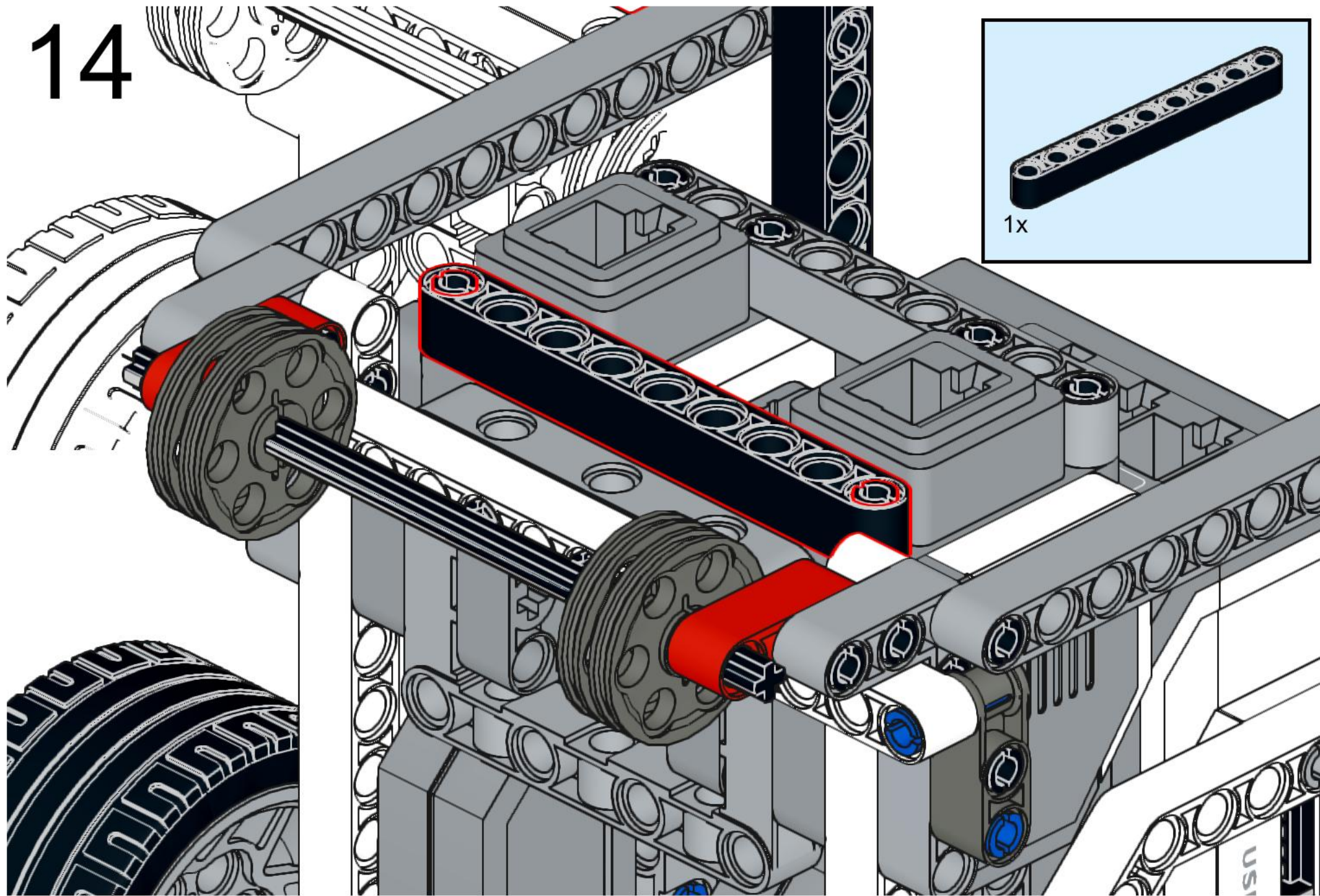
12



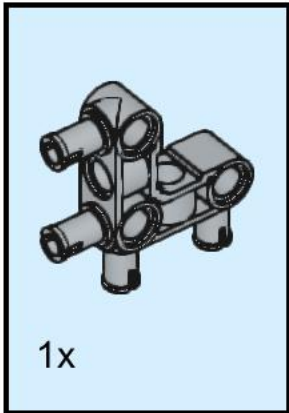
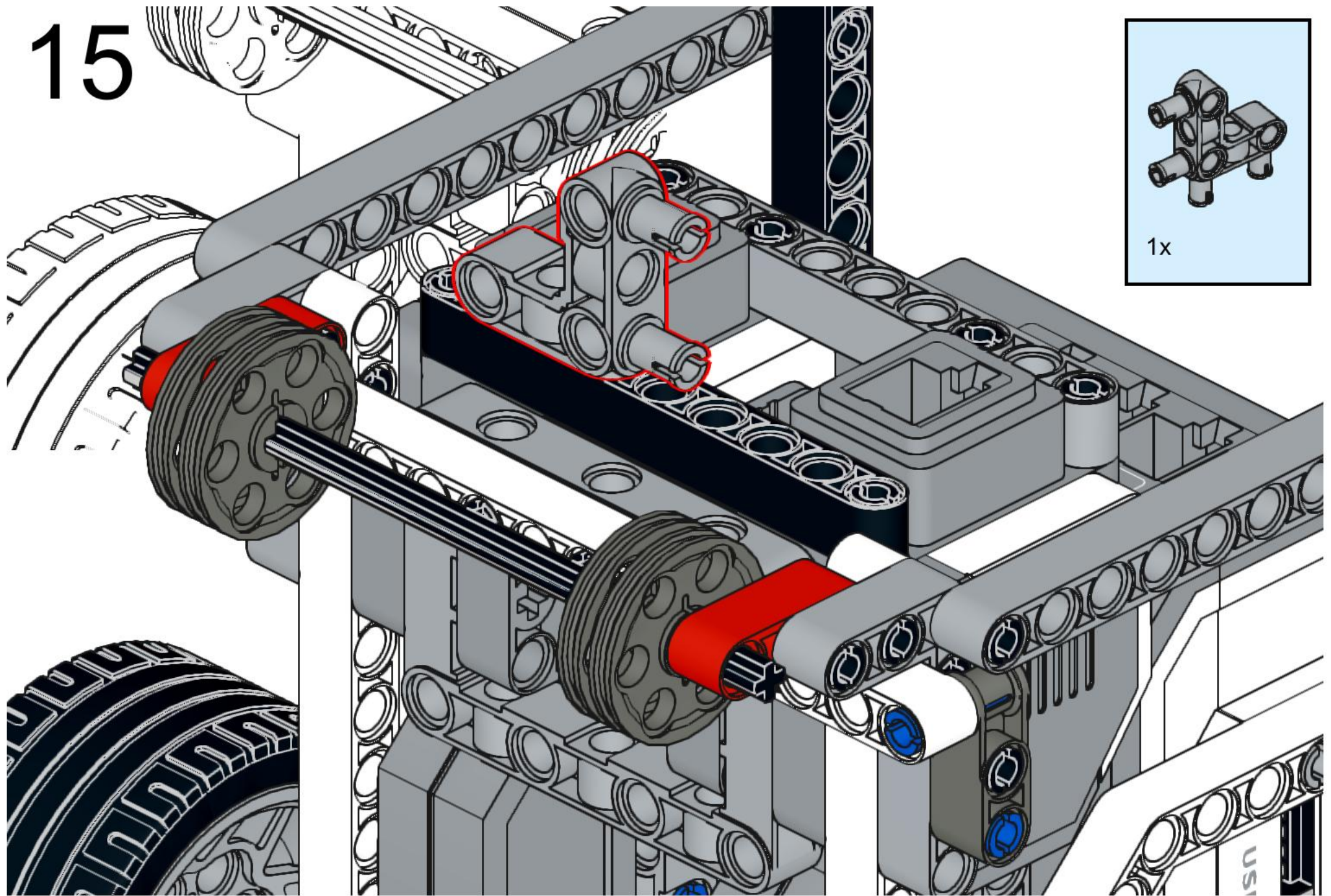
13



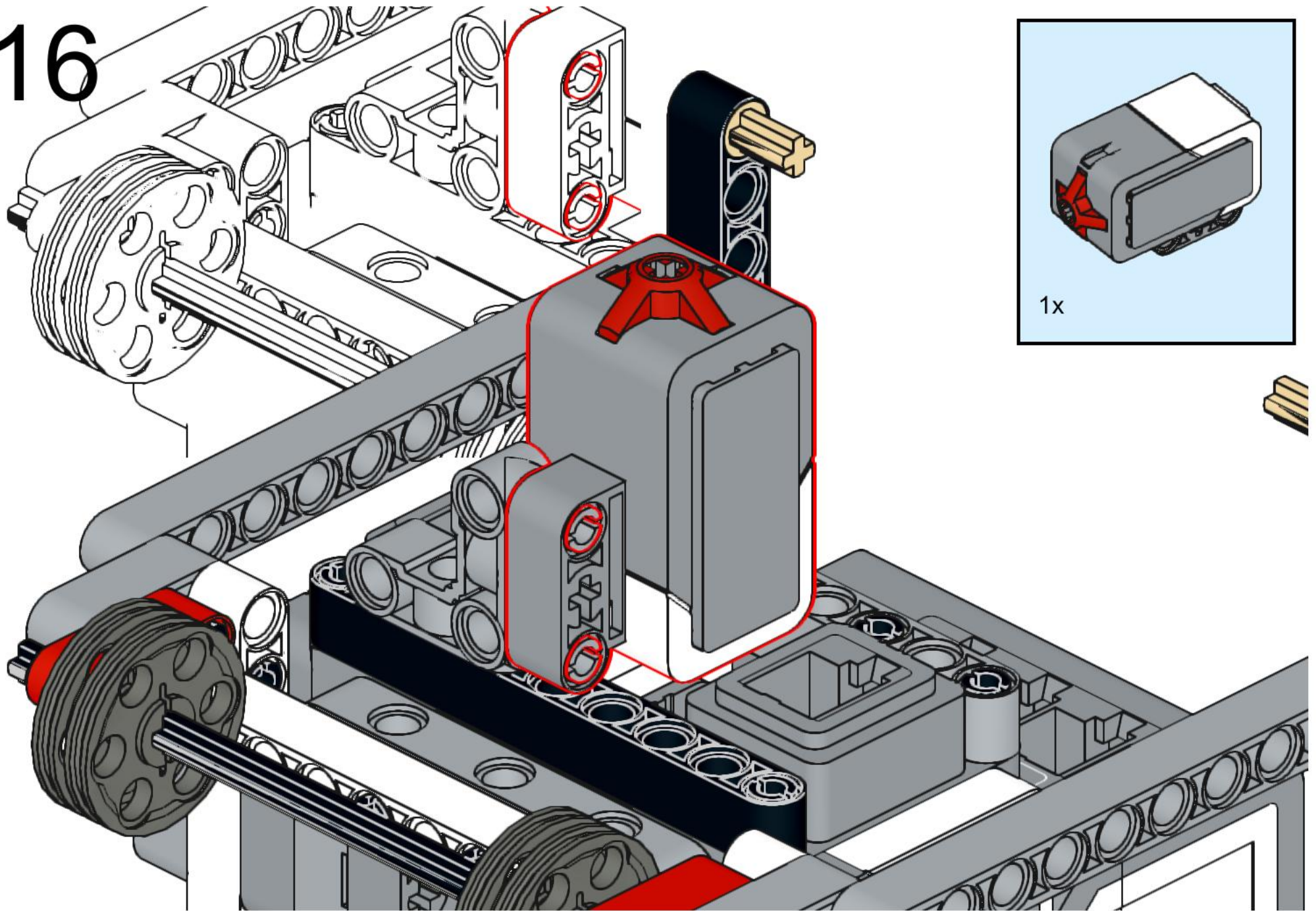
14



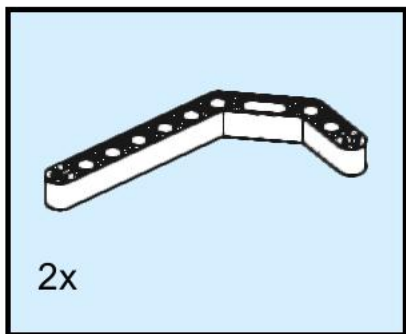
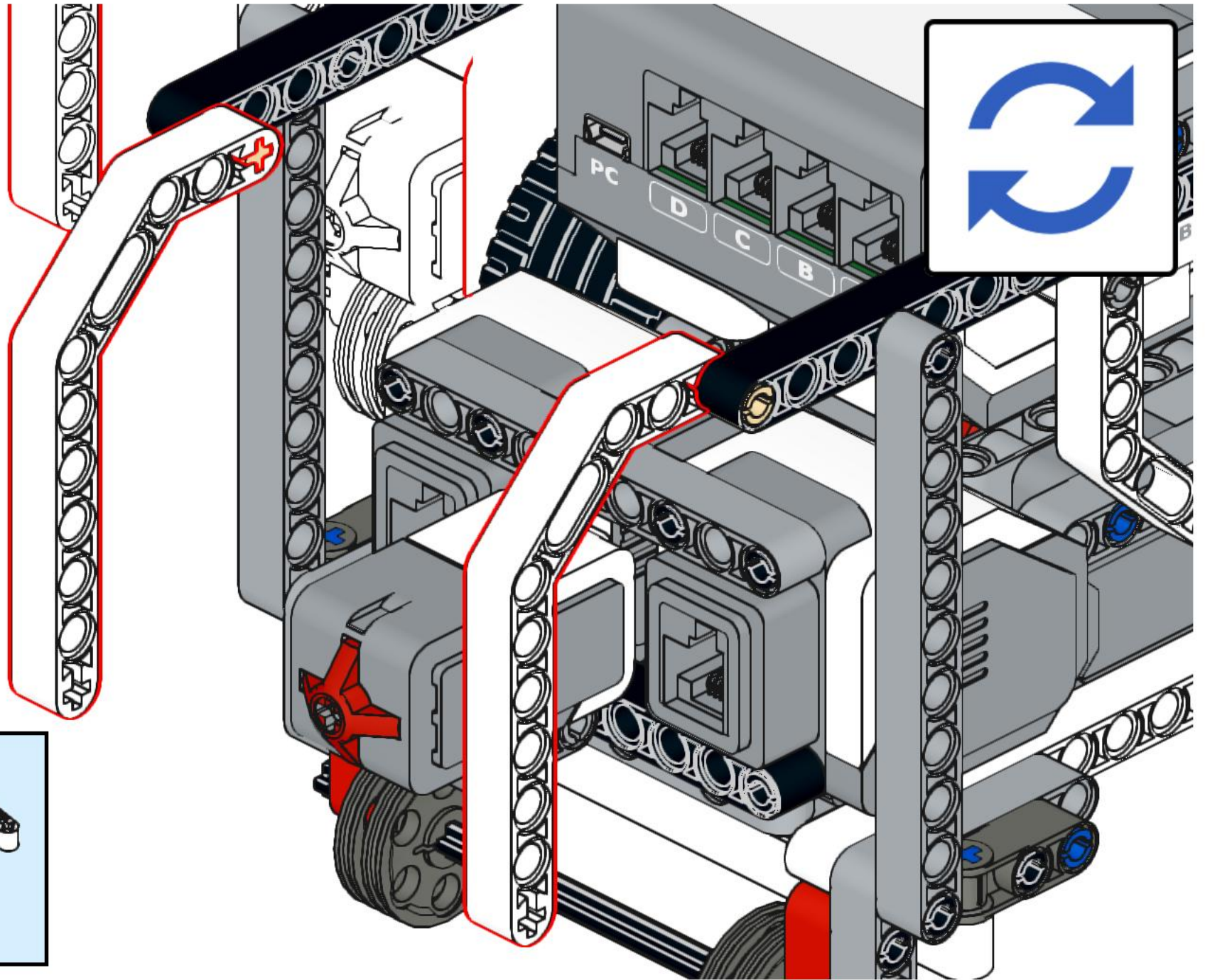
15



16

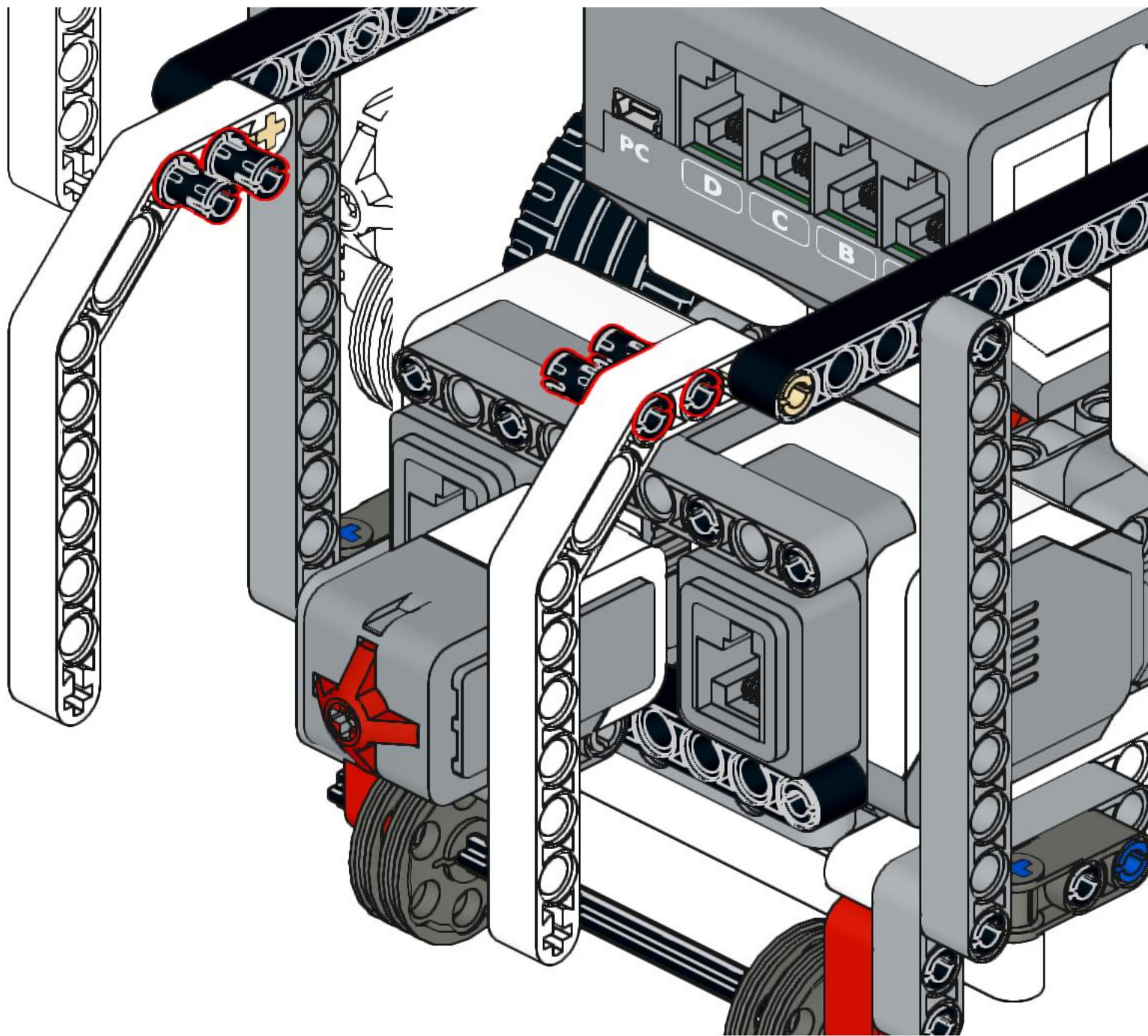
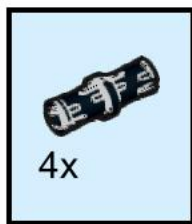


17

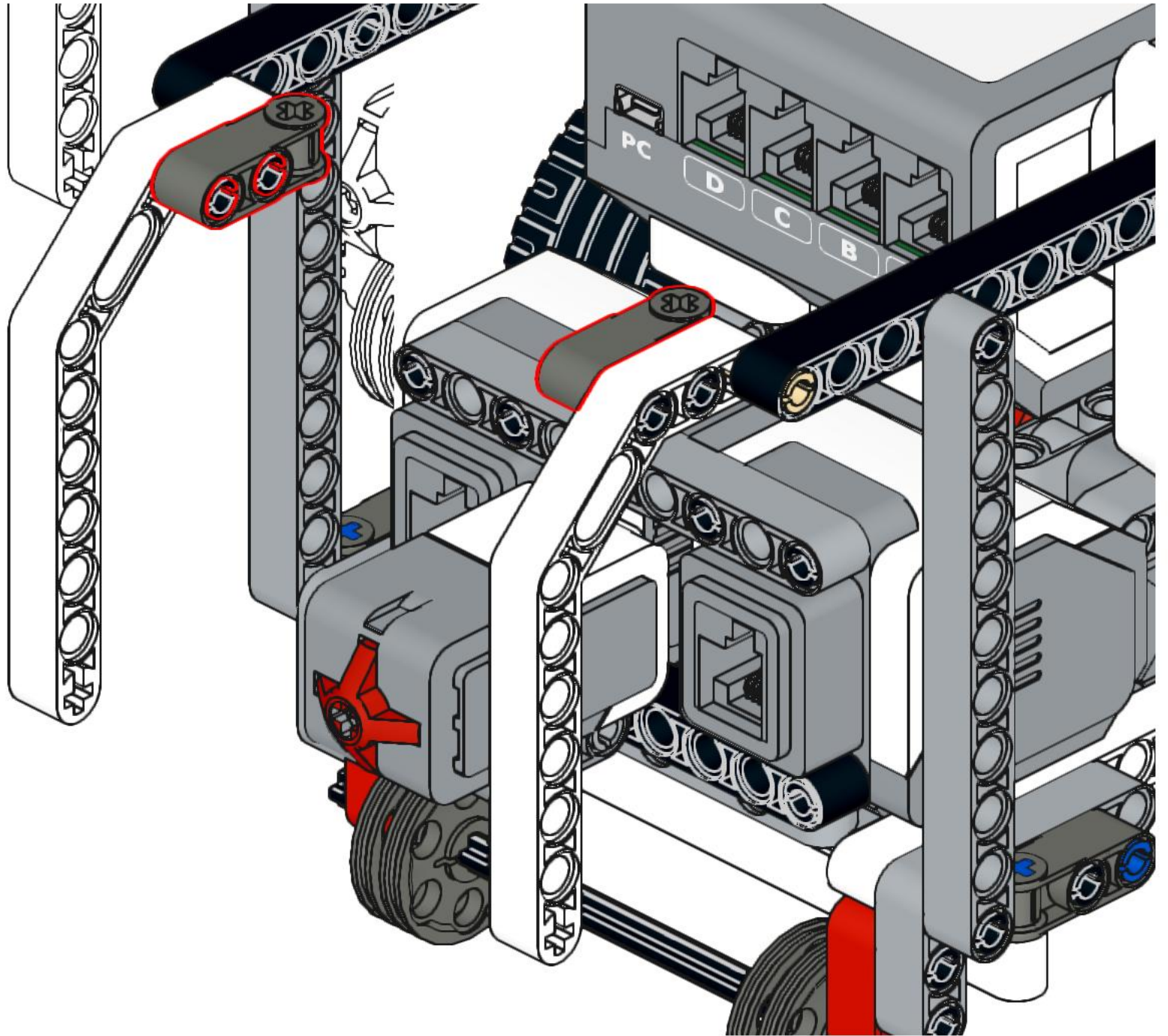
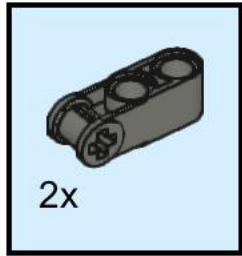


2x

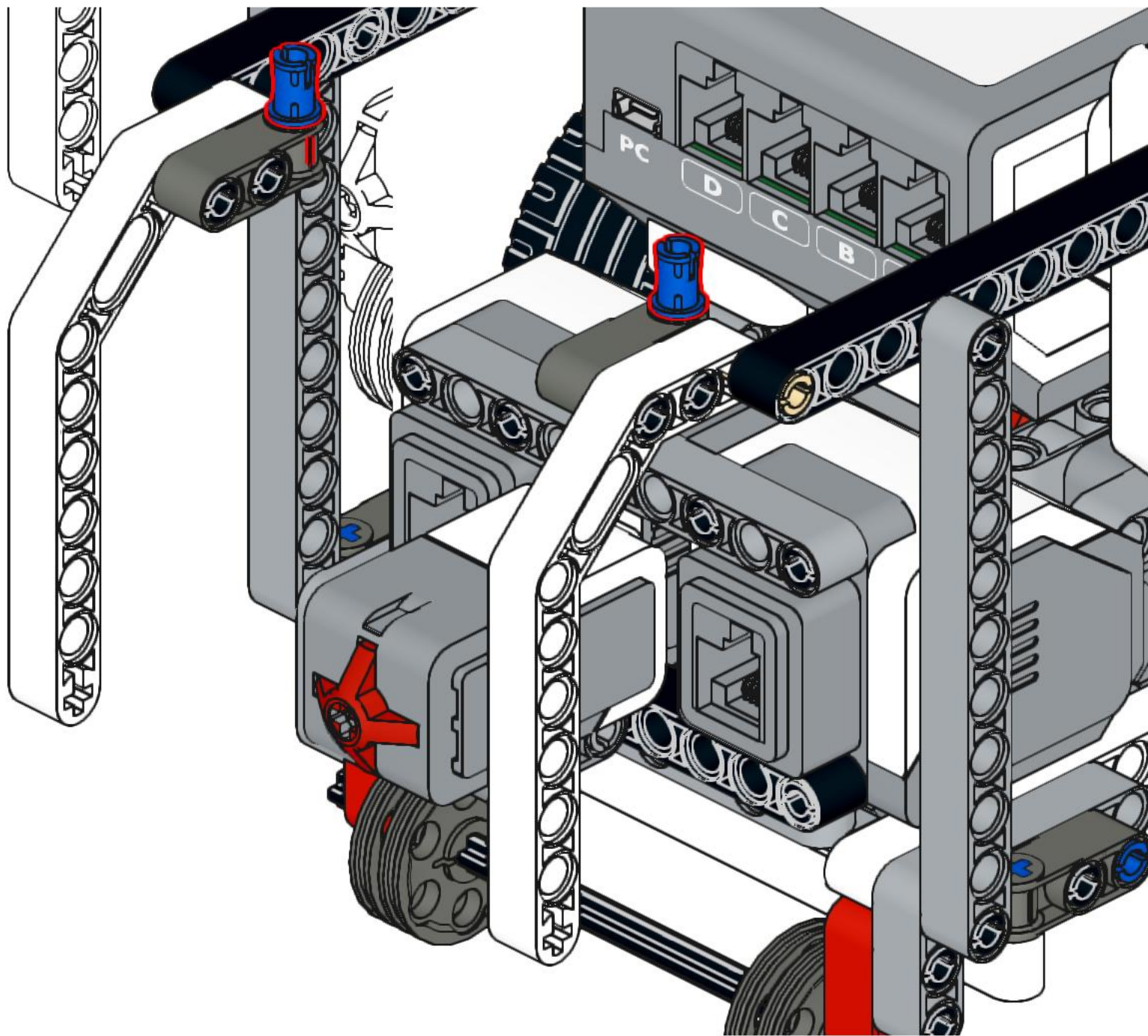
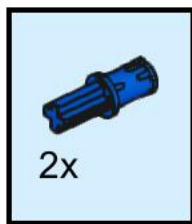
18



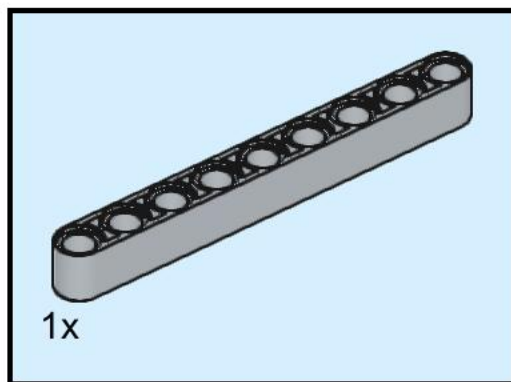
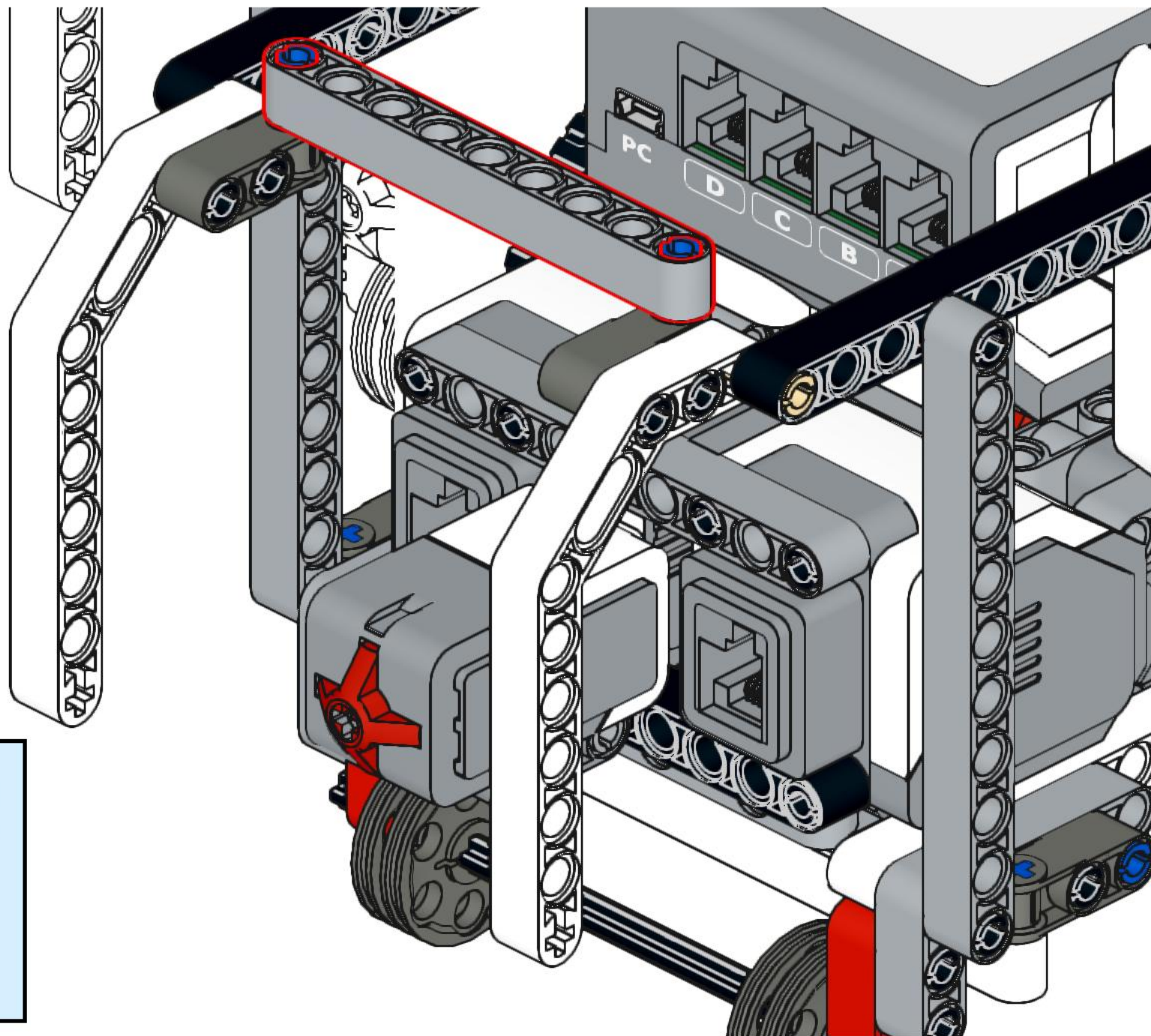
19



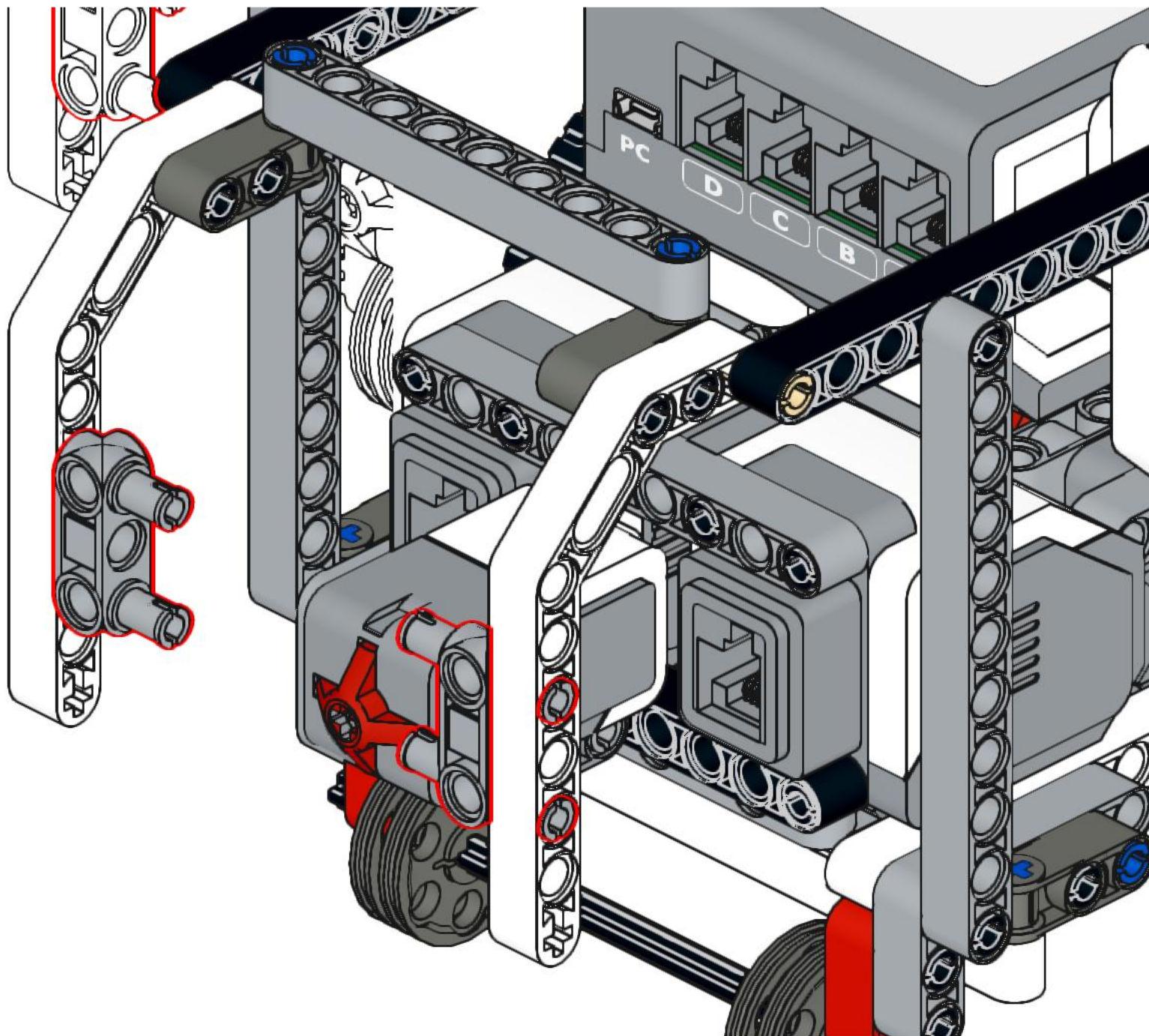
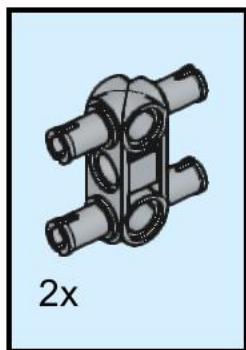
20



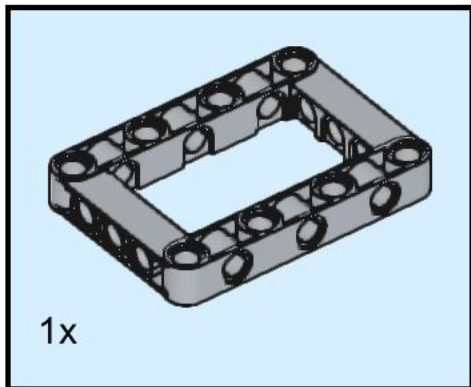
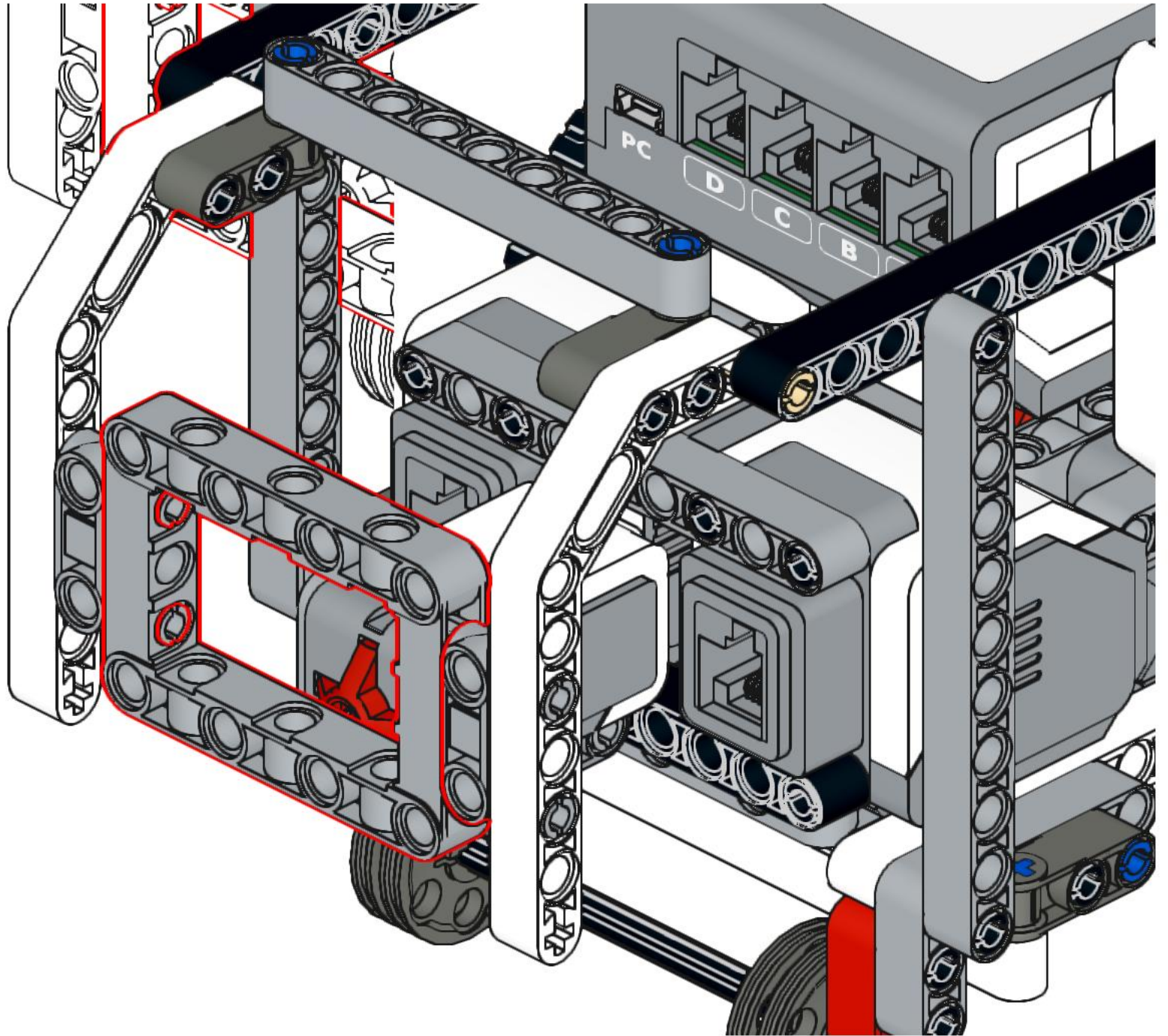
21



22



23



24

